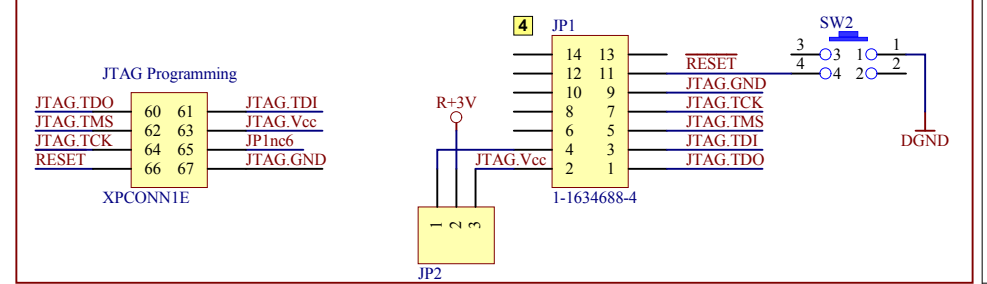
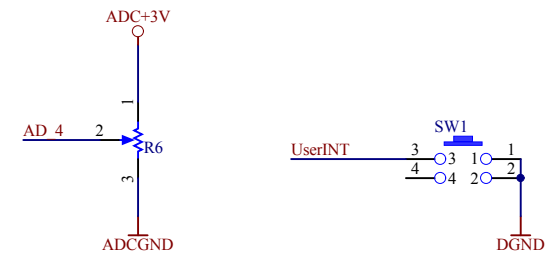
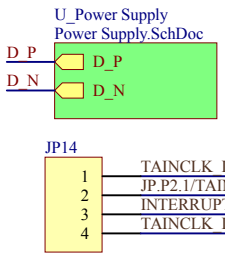
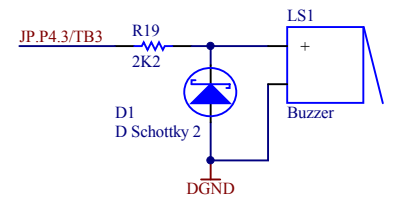
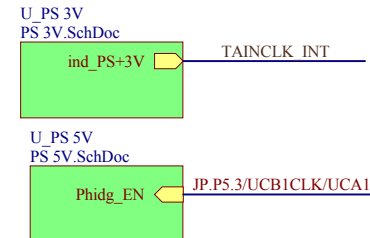
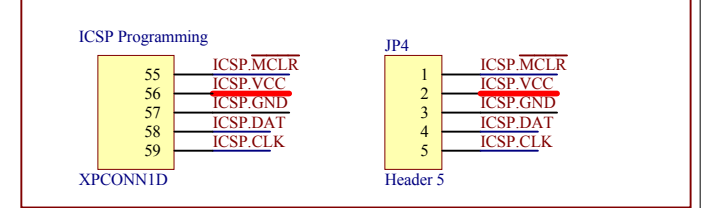


JTAG ADAPTER

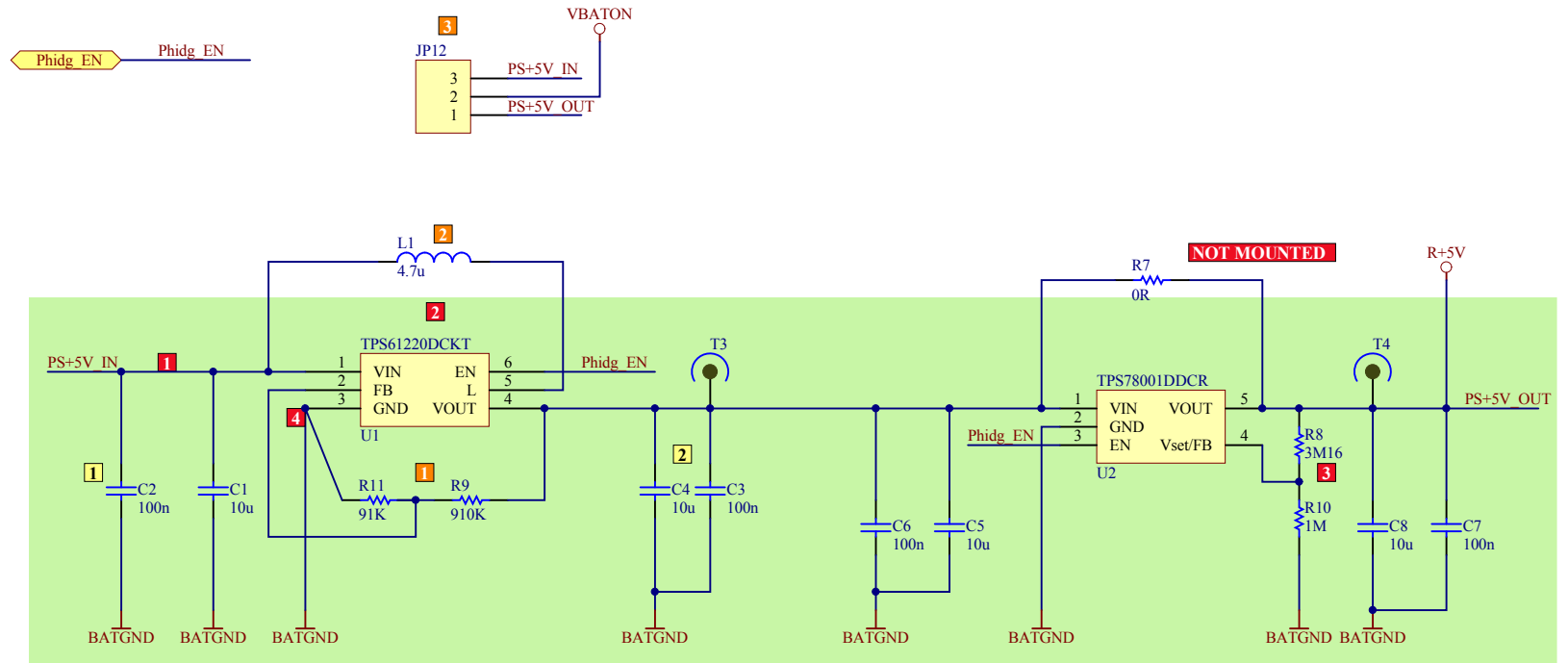


ICSP ADAPTER



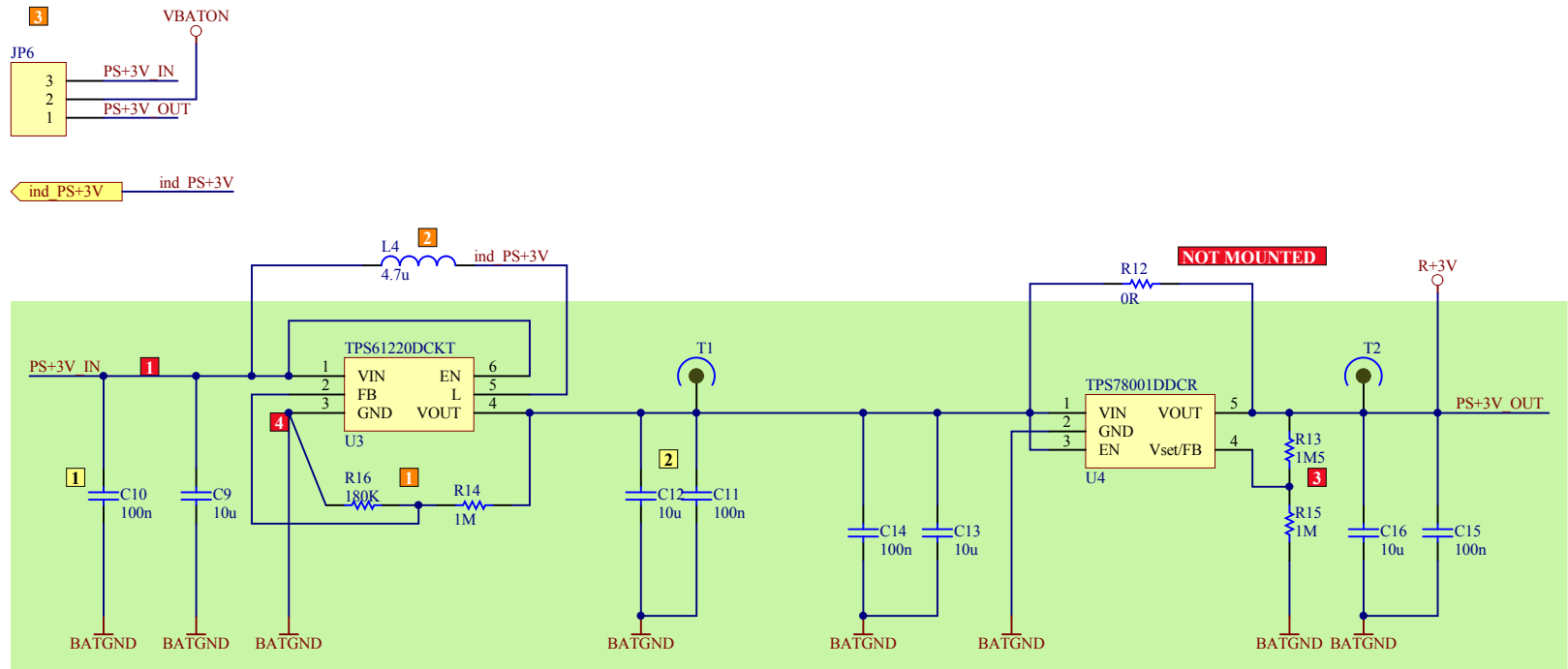
Project Name	Z1 Starter Platform.PrjPCB	Sheet	1 of 4
Title	Main Board	Version	*
Author	Enric Calvo & Francisco Paredes	Date	04/08/2010
Comments	Copyright 2010 Zolertia Licensed under BSD license <a href="http://www.opensource.org/licenses/bsd-license.php">http://www.opensource.org/licenses/bsd-license.php</a>		





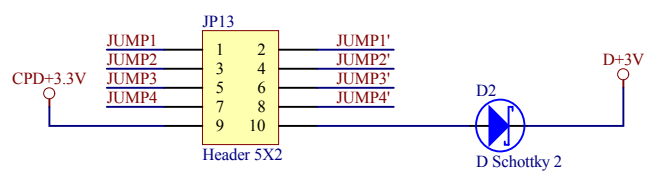
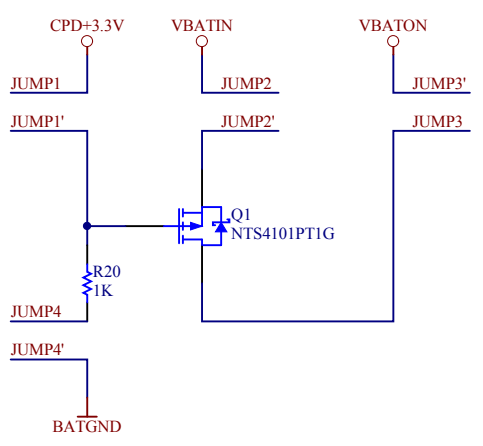
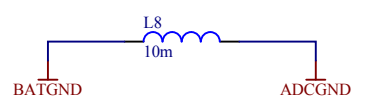
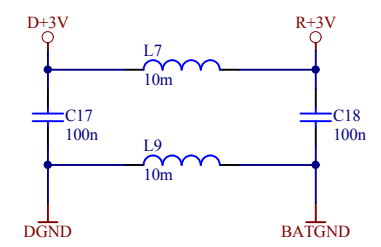
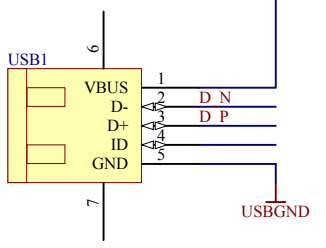
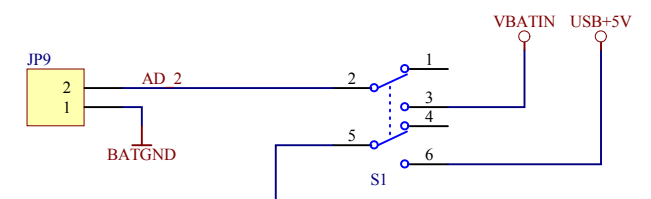
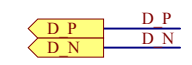
Project Name	Z1 Starter Platform.PrjPCB	Sheet	2 of 4
Title	PS 5V	Version	*
Author	Enric Calvo & Francisco Paredes	Date	04/08/2010
Comments	Copyright 2010 Zolertia Licensed under BSD license <a href="http://www.opensource.org/licenses/bsd-license.php">http://www.opensource.org/licenses/bsd-license.php</a>		





Project Name	Z1 Starter Platform.PrjPCB	Sheet	3 of 4
Title	PS 3V	Version	*
Author	Enric Calvo & Francisco Paredes	Date	04/08/2010
Comments	Copyright 2010 Zolertia Licensed under BSD license <a href="http://www.opensource.org/licenses/bsd-license.php">http://www.opensource.org/licenses/bsd-license.php</a>		





Project Name	Z1 Starter Platform.PrjPCB	Sheet	4 of 4
Title	Power Supply	Version	*
Author	Enric Calvo & Francisco Paredes	Date	04/08/2010
Comments	Copyright 2010 Zolertia Licensed under BSD license <a href="http://www.opensource.org/licenses/bsd-license.php">http://www.opensource.org/licenses/bsd-license.php</a>		

