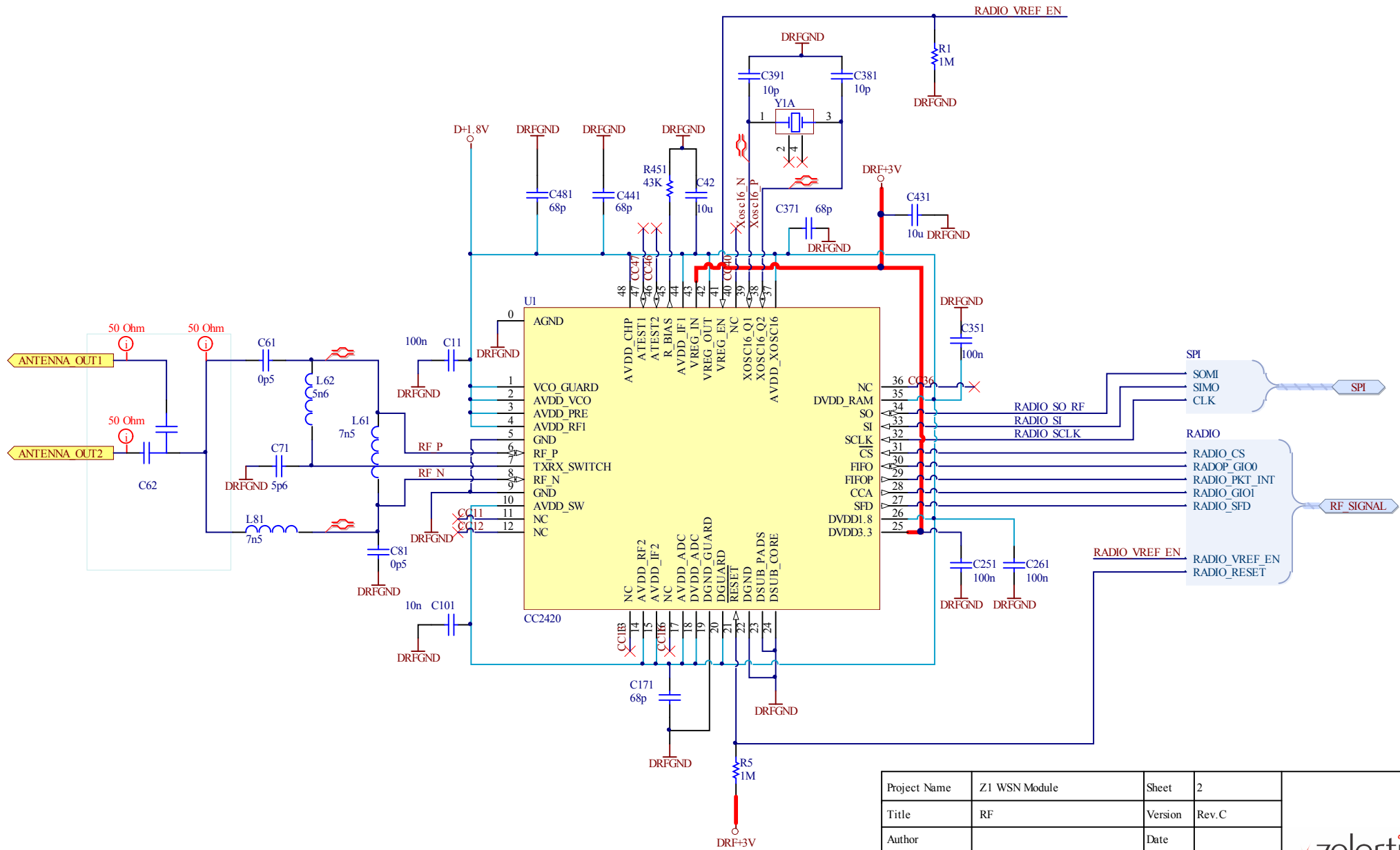


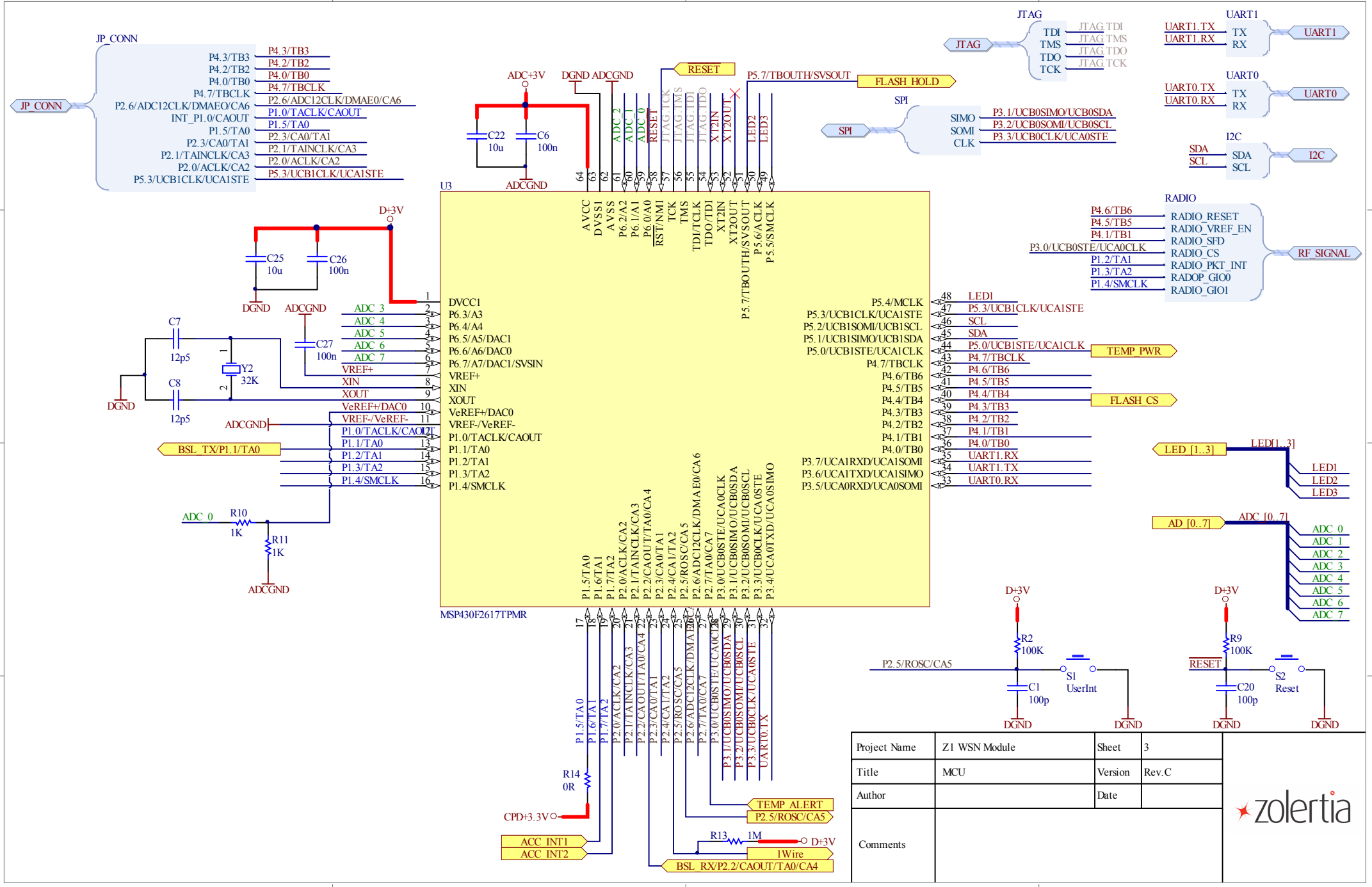
Project Name	Z1 WSN Module	Sheet	1
Title	Main Board	Version	Rev.C
Author		Date	
Comments			





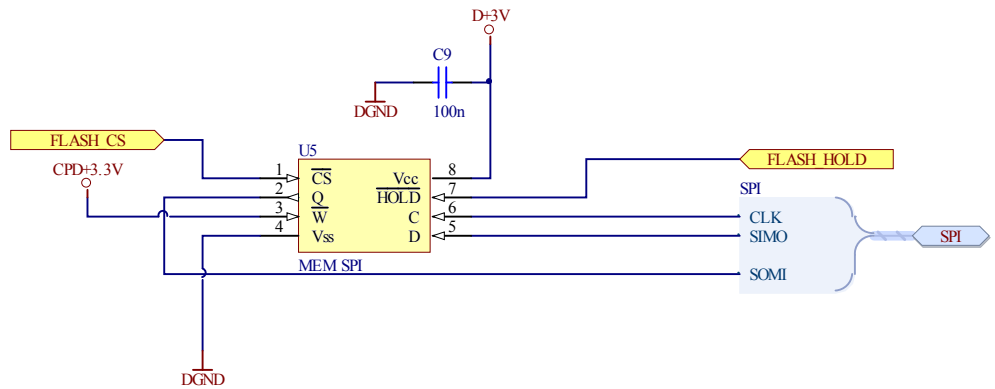
Project Name	Z1 WSN Module	Sheet	2
Title	RF	Version	Rev.C
Author		Date	
Comments			





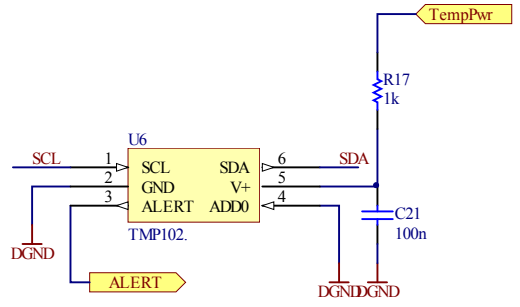
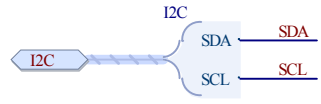
Project Name	Z1 WSN Module	Sheet	3
Title	MCU	Version	Rev.C
Author		Date	
Comments			





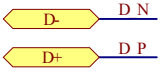
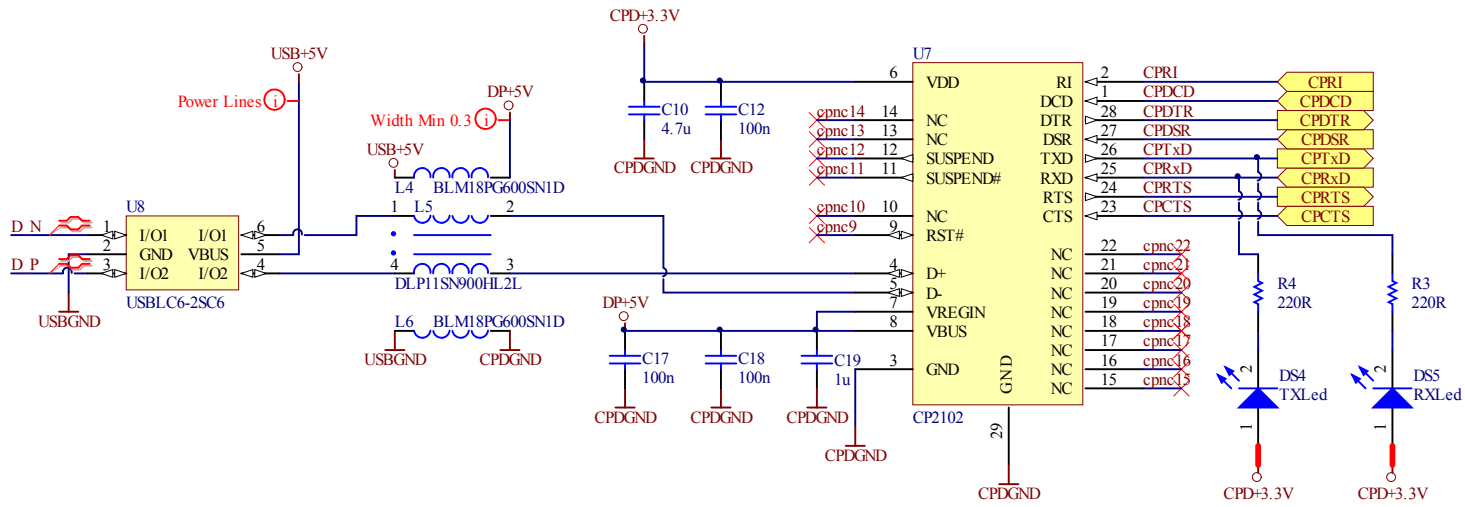
Project Name	Z1 WSN Module	Sheet	4
Title	Memory	Version	Rev.C
Author		Date	
Comments			





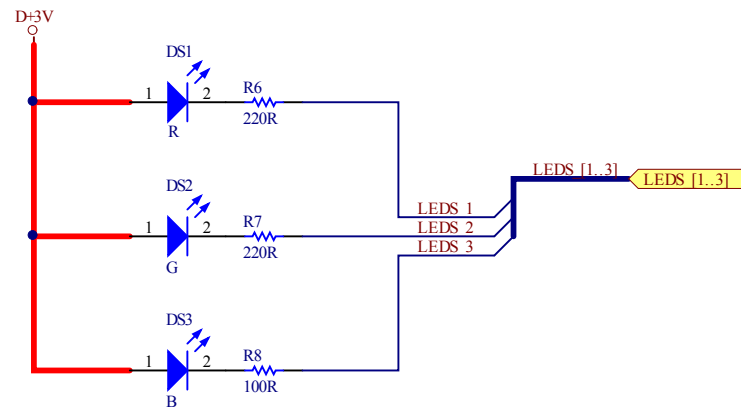
Project Name	Z1 WSN Module	Sheet	5
Title	Temp	Version	Rev.C
Author		Date	
Comments			





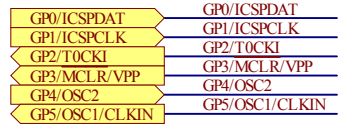
Project Name	Z1 WSN Module	Sheet	6
Title	USB Interface	Version	Rev.C
Author		Date	
Comments			



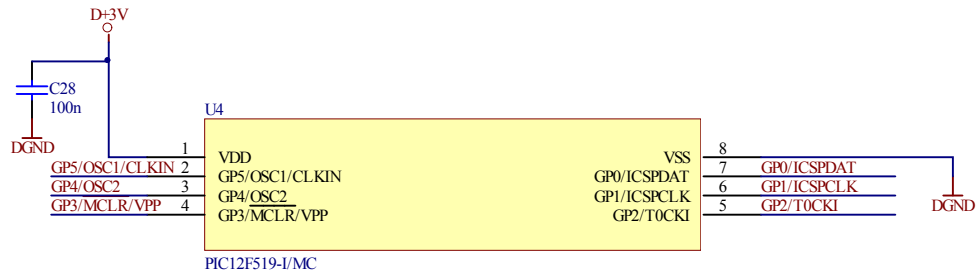


Project Name	Z1 WSN Module	Sheet	7
Title	LED	Version	Rev.C
Author		Date	
Comments			



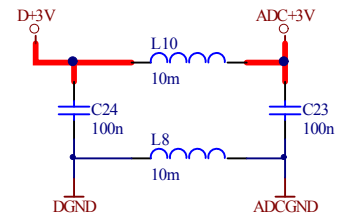
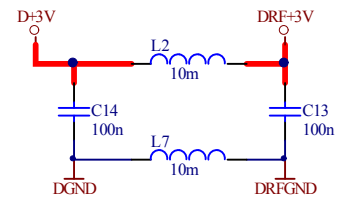
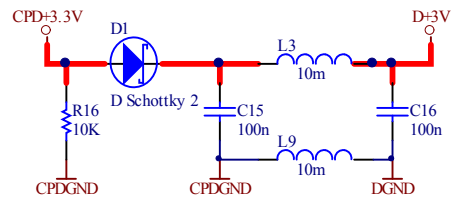


A BootStrap Detector and unique ID



Project Name	Z1 WSN Module	Sheet	8
Title	PIC BSL	Version	Rev.C
Author		Date	
Comments			





Project Name	Z1 WSN Module	Sheet	9
Title	Power Supply	Version	Rev.C
Author		Date	
Comments			



